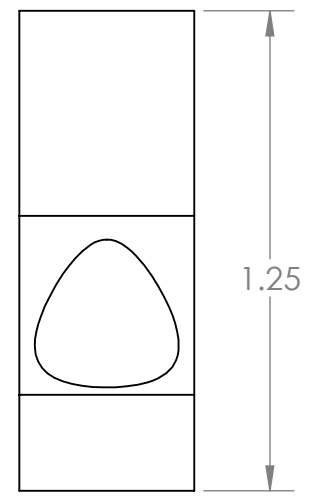
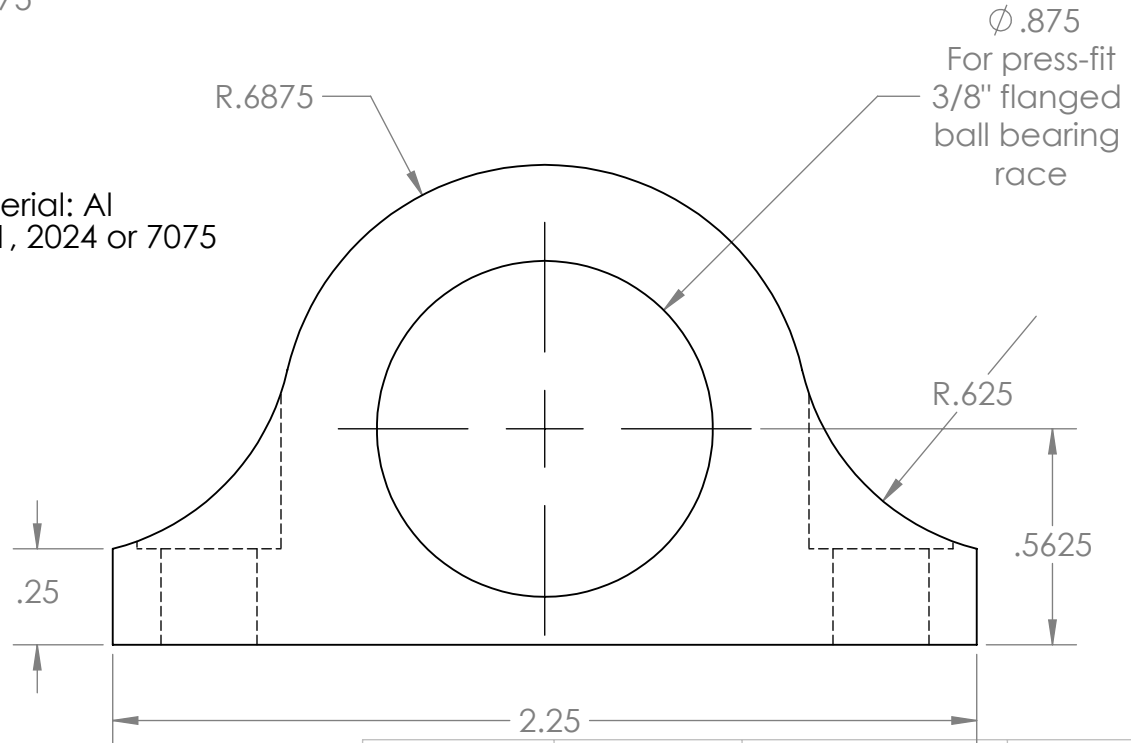


Material: Al
6061, 2024 or 7075



<p>PROPRIETARY AND CONFIDENTIAL</p> <p>THE INFORMATION CONTAINED IN THIS DRAWING IS THE PROPERTY OF <INSERT COMPANY NAME HERE>. ANY REPRODUCTION IN PART OR AS A WHOLE WITHOUT THE WRITTEN PERMISSION OF <INSERT COMPANY NAME HERE> IS PROHIBITED.</p>			UNLESS OTHERWISE SPECIFIED:		NAME	DATE	<p>TITLE: Stacker Lift Bearing Block (20) req'd</p>		
			DIMENSIONS ARE IN INCHES TOLERANCES: FRACTIONAL ± ANGULAR: MACH ± BEND ± TWO PLACE DECIMAL ± THREE PLACE DECIMAL ±	DRAWN				<p>SIZE DWG. NO. REV liA bearing block</p>	
			INTERPRET GEOMETRIC TOLERANCING PER:	CHECKED					<p>SCALE: 1:1 WEIGHT: SHEET 1 OF 1</p>
			MATERIAL	ENG APPR.					
		FINISH	MFG APPR.						
		APPLICATION	DO NOT SCALE DRAWING	COMMENTS:					

SolidWorks Student Edition.
For Academic Use Only.