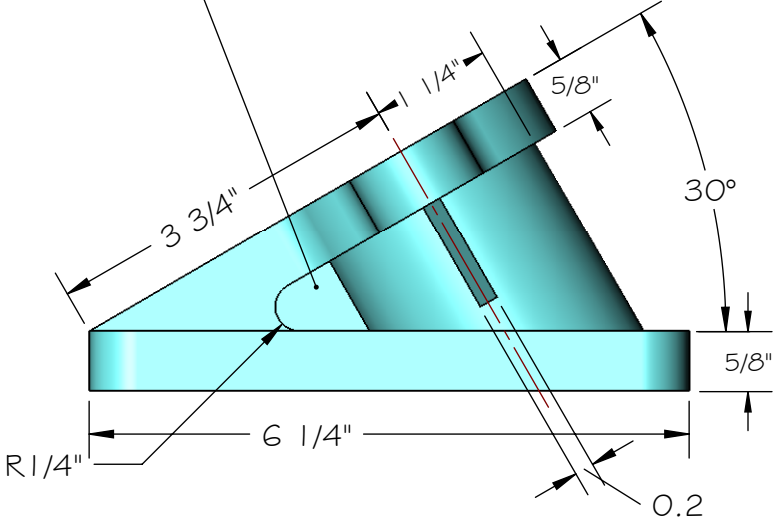
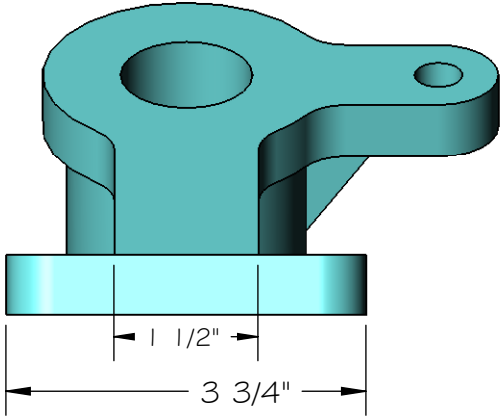
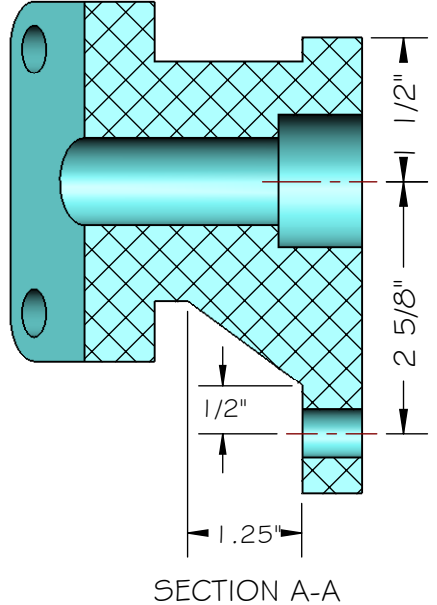
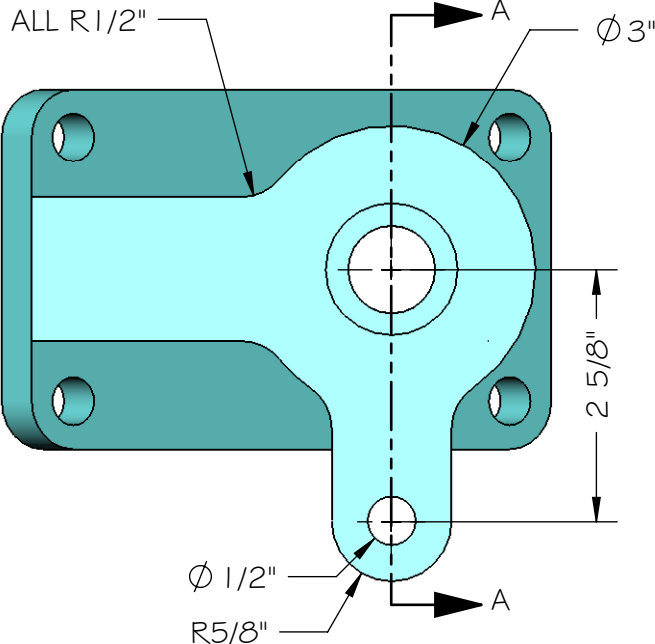
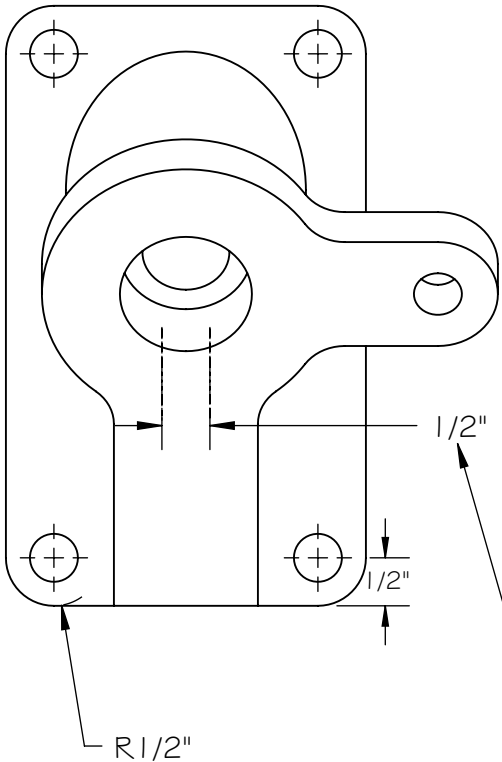
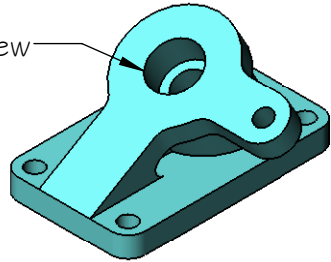


7/8" Socket Head Cap Screw



Hidden Rib

1.260 lbs.

PVC Rigid inch

| | | |
|--------------------------------|-----------------------|--------------|
| TITLE: CSWA Advanced Part 4 | | |
| SIZE A | Course: EDSGN 496A | REV |
| SCALE: 1:2 | RGB | SHEET 1 OF 1 |

Enable 3D View