

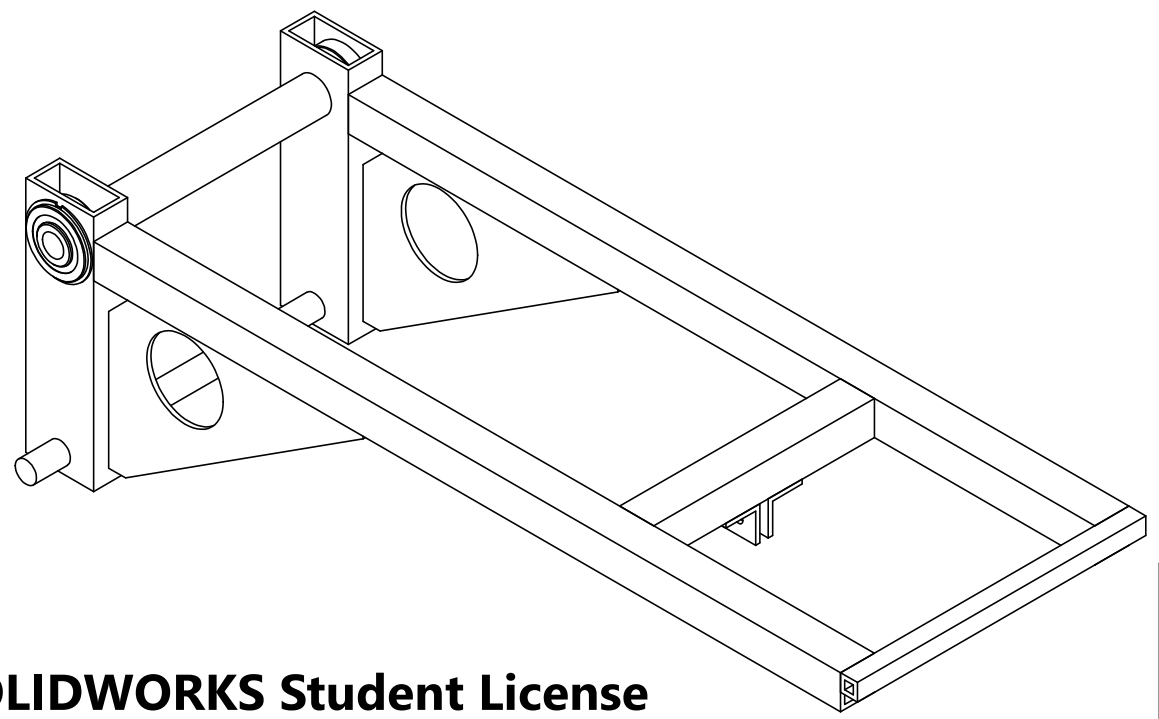
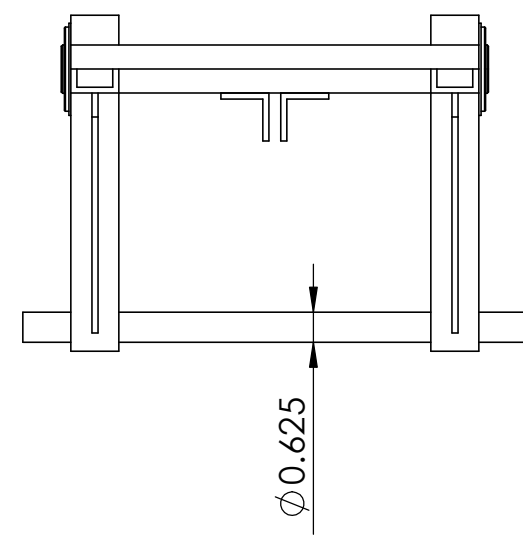
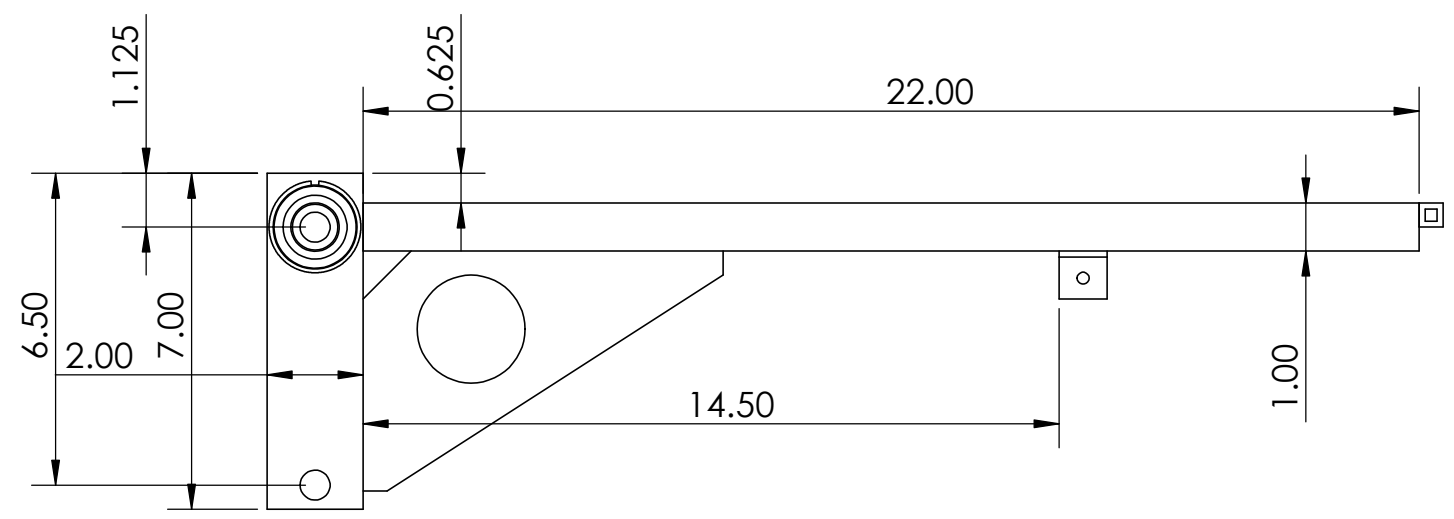
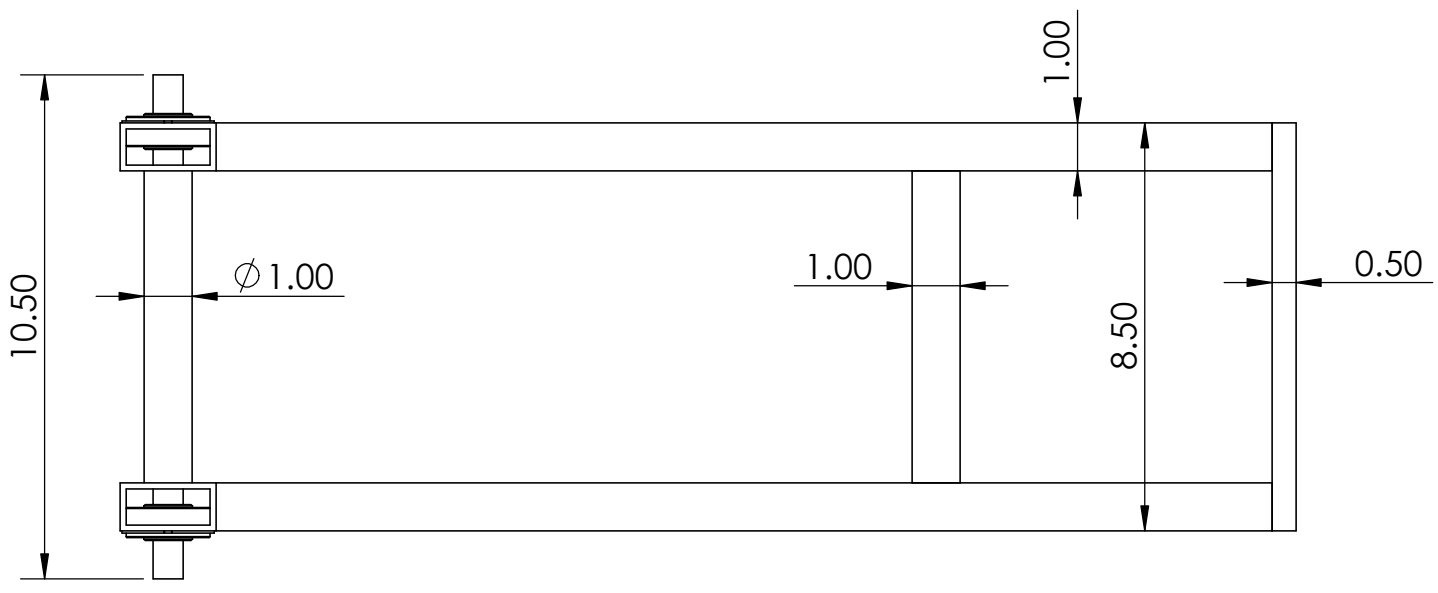
4

3

2

1

Catapult Arm



**PROPRIETARY AND CONFIDENTIAL**  
 THE INFORMATION CONTAINED IN THIS DRAWING IS THE SOLE PROPERTY OF <INSERT COMPANY NAME HERE>. ANY REPRODUCTION IN PART OR AS A WHOLE WITHOUT THE WRITTEN PERMISSION OF <INSERT COMPANY NAME HERE> IS PROHIBITED.

		UNLESS OTHERWISE SPECIFIED:		NAME	DATE		
		DIMENSIONS ARE IN INCHES	DRAWN			TITLE:	
		TOLERANCES:	CHECKED				
		FRACTIONAL $\pm$	ENG APPR.				
		ANGULAR: MACH $\pm$ BEND $\pm$	MFG APPR.				
		TWO PLACE DECIMAL $\pm$	Q.A.				
		THREE PLACE DECIMAL $\pm$	COMMENTS:				
		INTERPRET GEOMETRIC TOLERANCING PER:					
		MATERIAL					SIZE DWG. NO. REV
		FINISH					<b>B</b> Cat_Arm
NEXT ASSY	USED ON	DO NOT SCALE DRAWING					SCALE: 1:1 WEIGHT: SHEET 1 OF 1

**SOLIDWORKS Student License**  
**Academic Use Only**

4

3

2

1

B

B

A

A