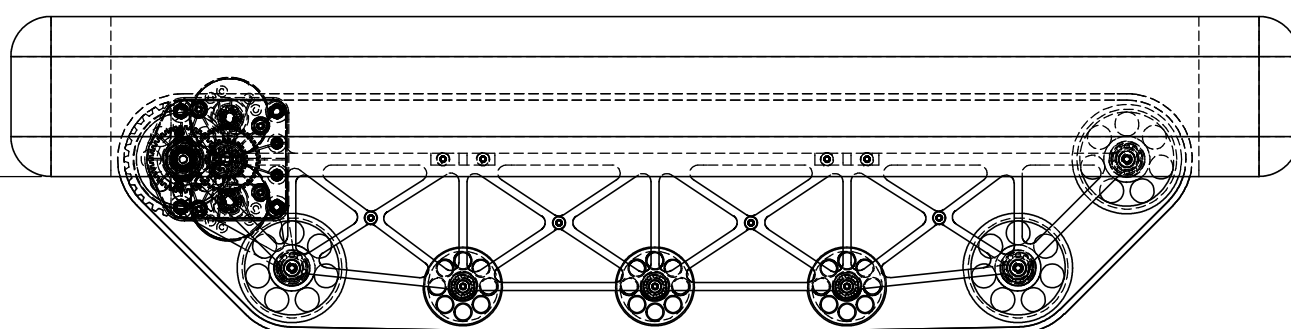
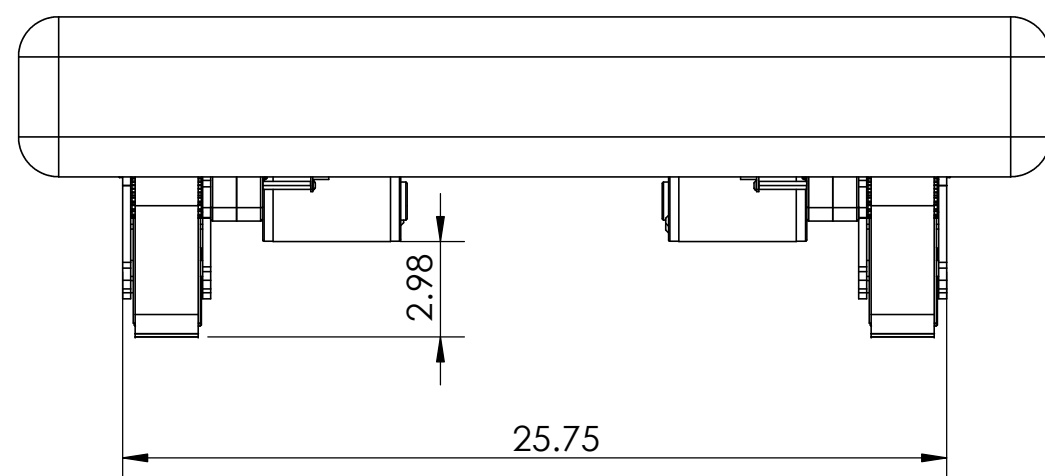
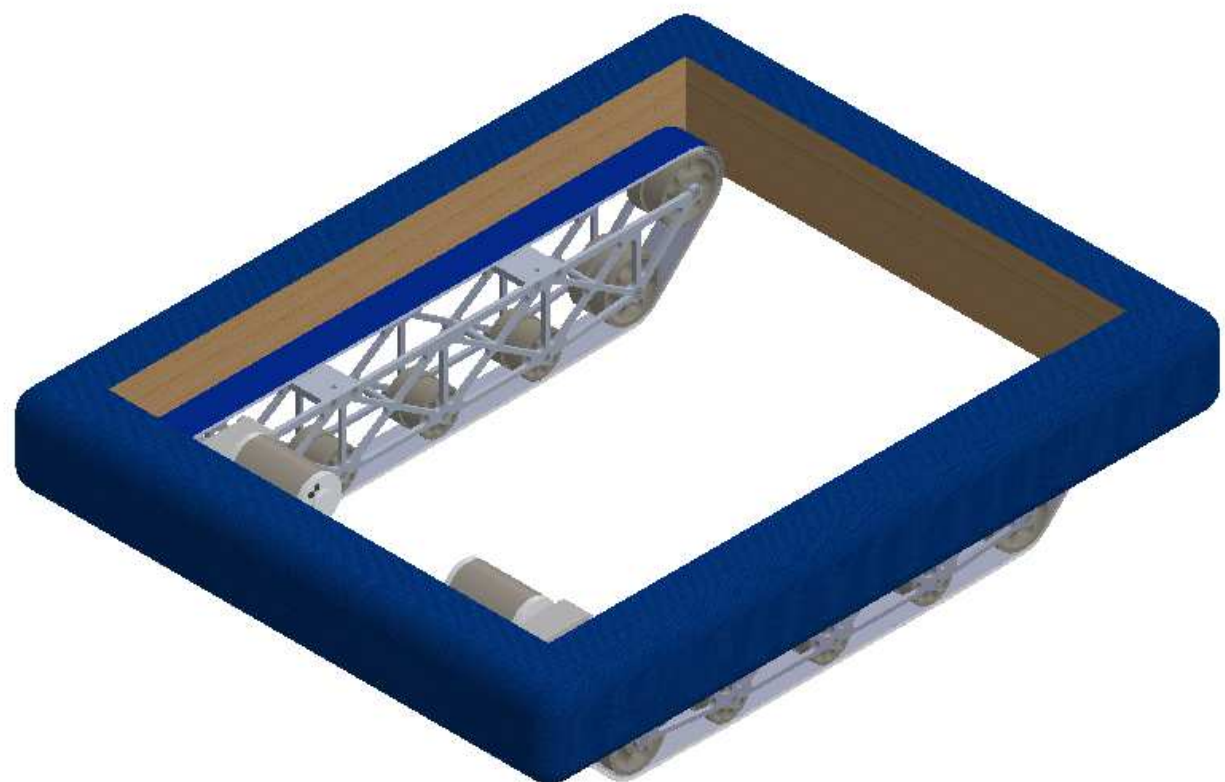
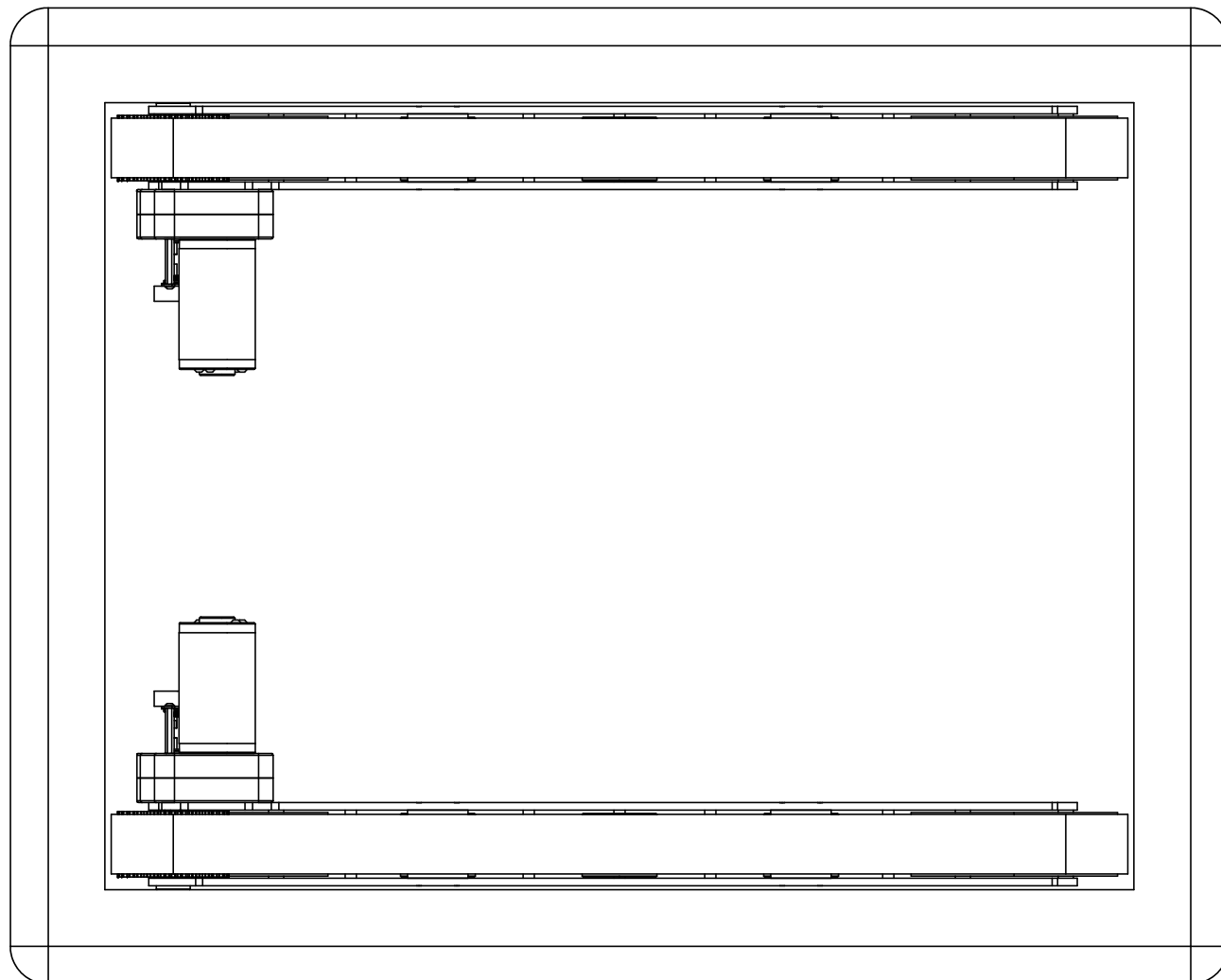


4

3

2

1



		UNLESS OTHERWISE SPECIFIED:	NAME	DATE			
		DIMENSIONS ARE IN INCHES	DRAWN		TITLE:		
		TOLERANCES:	CHECKED				
		FRACTIONAL ±	ENG APPR.				
		ANGULAR: MACH ± BEND ±	MFG APPR.				
		TWO PLACE DECIMAL ±	Q.A.		SIZE DWG. NO. REV B classis_work		
		THREE PLACE DECIMAL ±	COMMENTS:				
		INTERPRET GEOMETRIC TOLERANCING PER:				SCALE: 1:12	WEIGHT:
		MATERIAL				SHEET 1 OF 1	
NEXT ASSY	USED ON	FINISH					
APPLICATION		DO NOT SCALE DRAWING					

PROPRIETARY AND CONFIDENTIAL
 THE INFORMATION CONTAINED IN THIS DRAWING IS THE SOLE PROPERTY OF <INSERT COMPANY NAME HERE>. ANY REPRODUCTION IN PART OR AS A WHOLE WITHOUT THE WRITTEN PERMISSION OF <INSERT COMPANY NAME HERE> IS PROHIBITED.

SOLIDWORKS Student License
Academic Use Only

4

3

2

1

B

B

A

A