

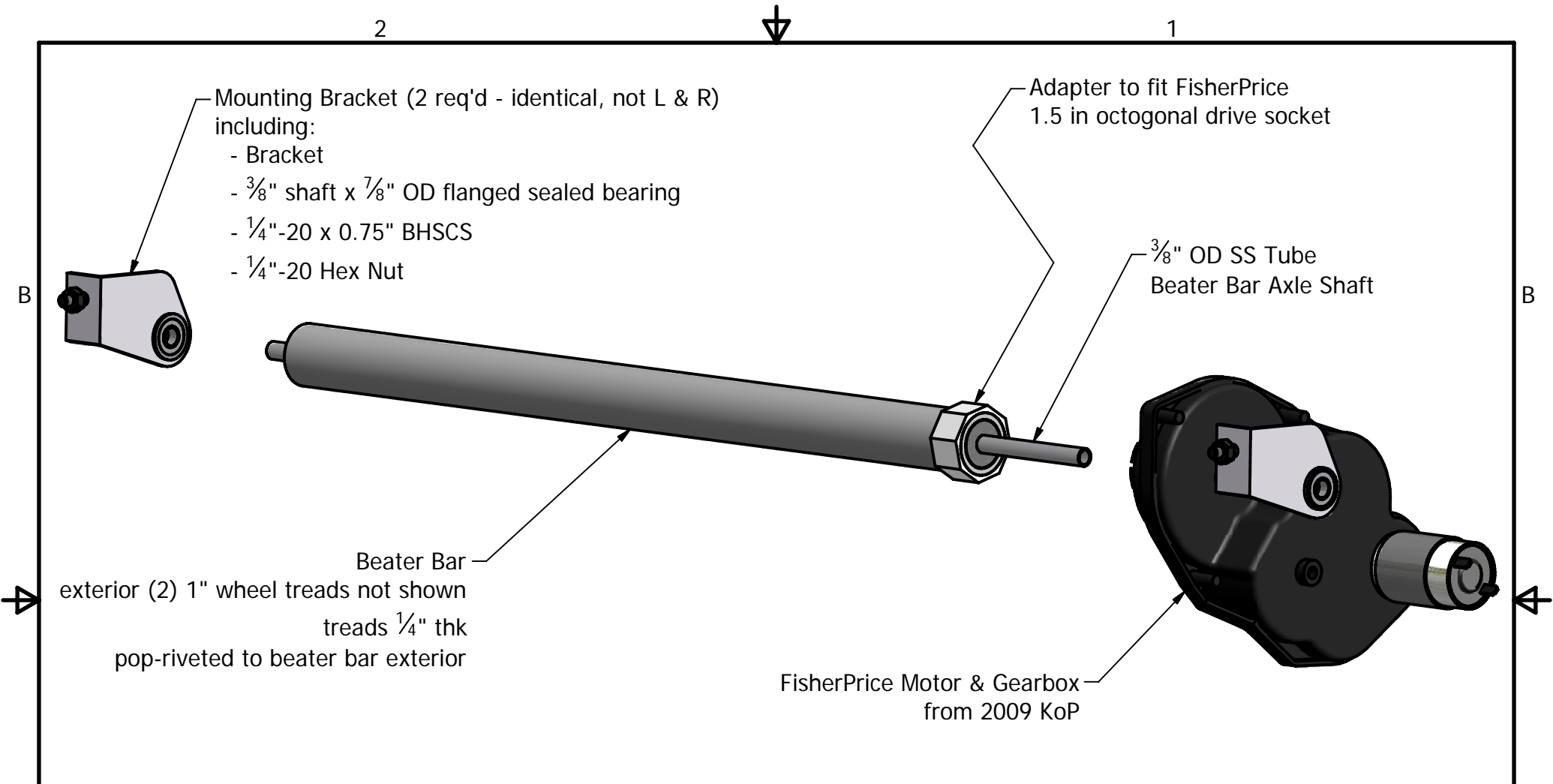
Mounting Bracket  
 2 req'd (identical)  
 including:  
 - Bracket  
 -  $\frac{3}{8}$ " shaft x  $\frac{7}{8}$ " OD flanged bearing  
 -  $\frac{1}{4}$ "-20 x 0.75 BHSCS  
 -  $\frac{1}{4}$ "-20 Hex Nut

FisherPrice Motor & Gearbox

Beater Bar

DRAWN	
Dad	1/25/2009
CHECKED	
QA	
MFG	
APPROVED	

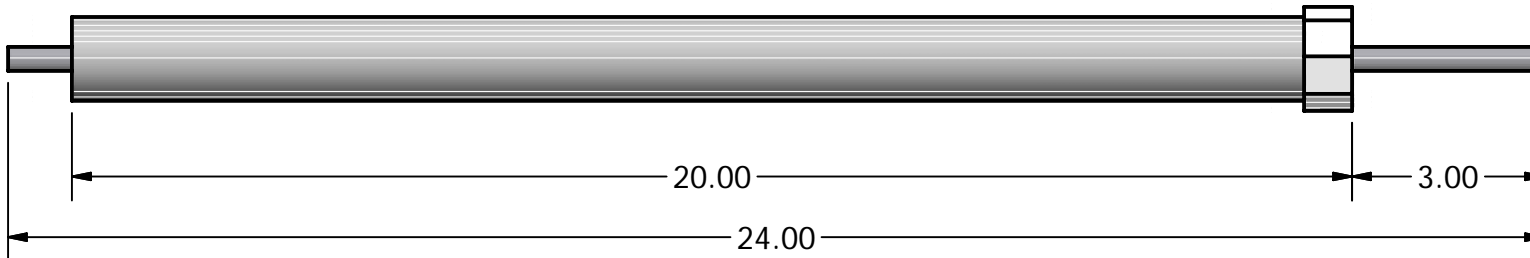
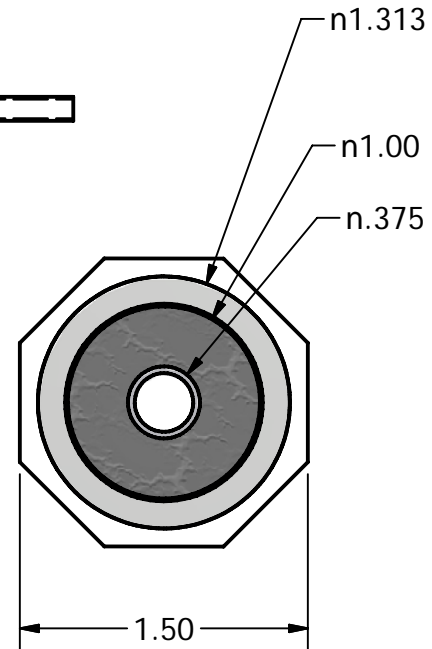
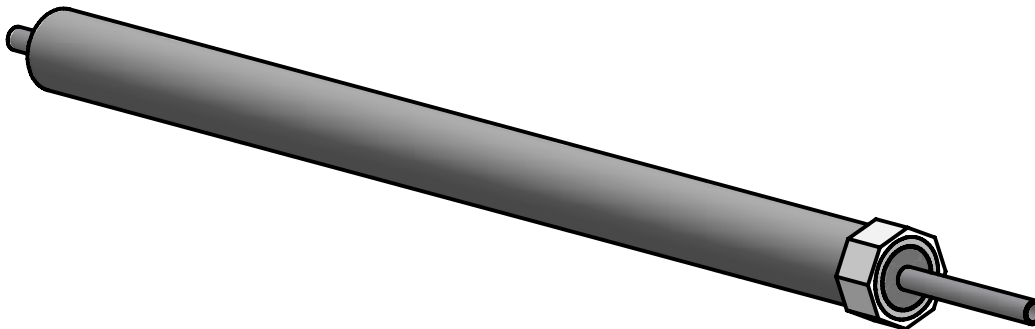
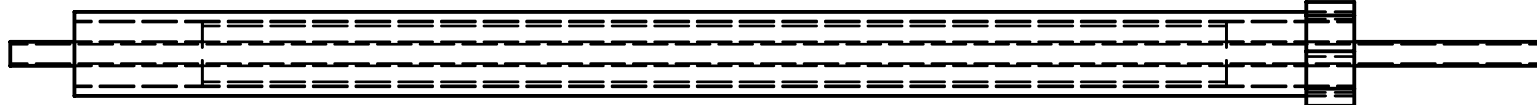
TITLE			
Front Beater Bar Assembly			
SIZE		DWG NO	REV
A		front roller	
SCALE		SHEET 1 OF 5	



DRAWN		TITLE		
Dad	1/25/2009			
CHECKED		Front Beater Bar Assembly Exploded View		
QA				
MFG				
APPROVED				
		SIZE	DWG NO	REV
		A	front roller	
		SCALE	SHEET 2 OF 5	

2

1



DRAWN		1/25/2009
Dad		
CHECKED		
QA		
MFG		
APPROVED		

TITLE			
Beater Bar			
SIZE		DWG NO	REV
A		front roller	
SCALE		SHEET 3 OF 5	

2

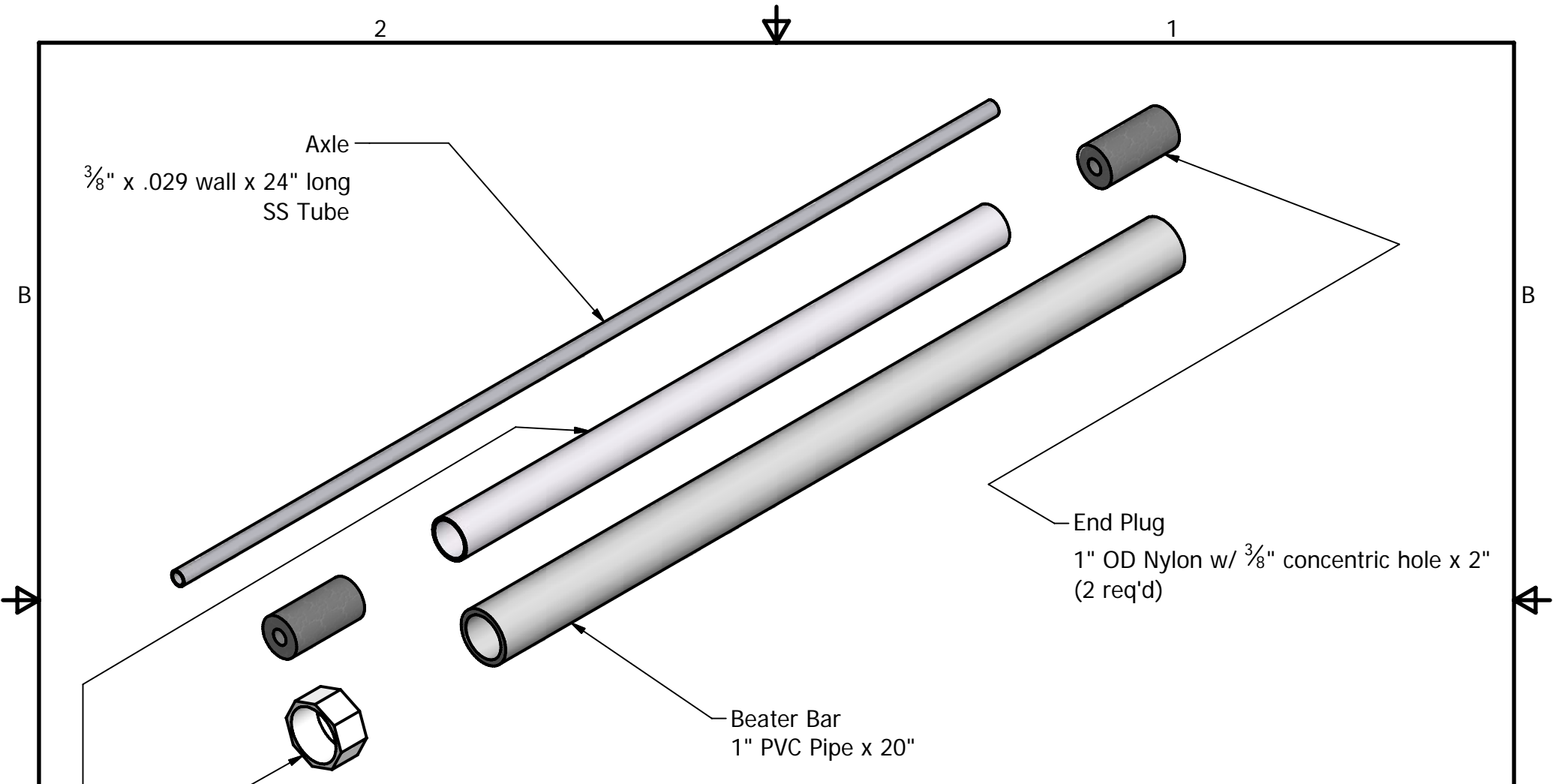
1

B

B

A

A



DRAWN	
Dad	1/25/2009
CHECKED	
QA	
MFG	
APPROVED	

TITLE			
Beater Bar Exploded View			
SIZE		DWG NO	REV
A		front roller	
SCALE	1 / 3	SHEET 4 OF 5	

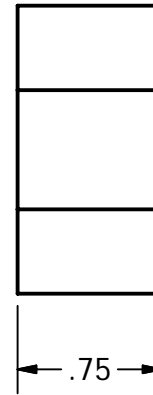
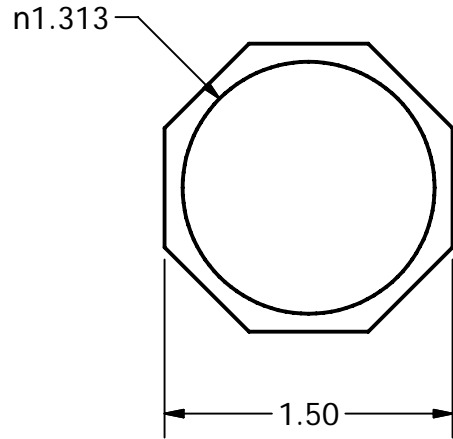
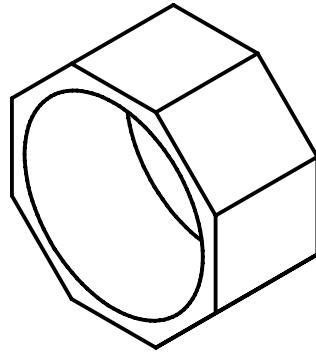
A

A

2

1

Material: PVC



DRAWN		TITLE		
Dad	1/25/2009	Beater Bar FisherPrice Adapter		
CHECKED				
QA		SIZE	DWG NO	REV
MFG		A	front roller	
APPROVED		SCALE	1 : 1	SHEET 5 OF 5