

4

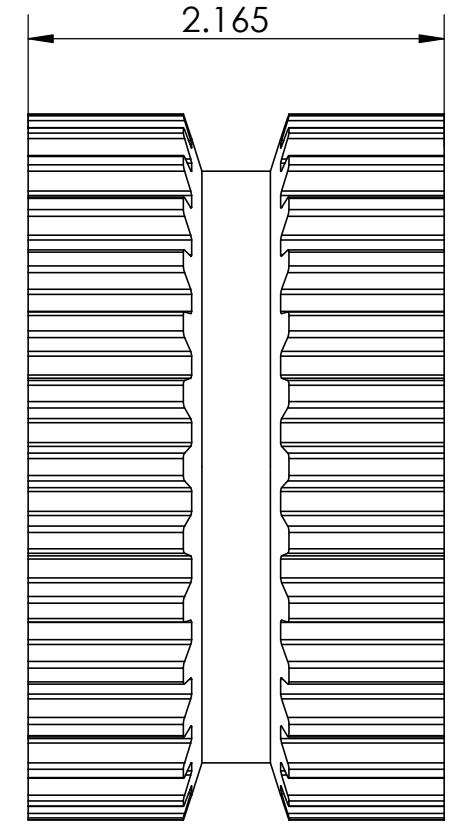
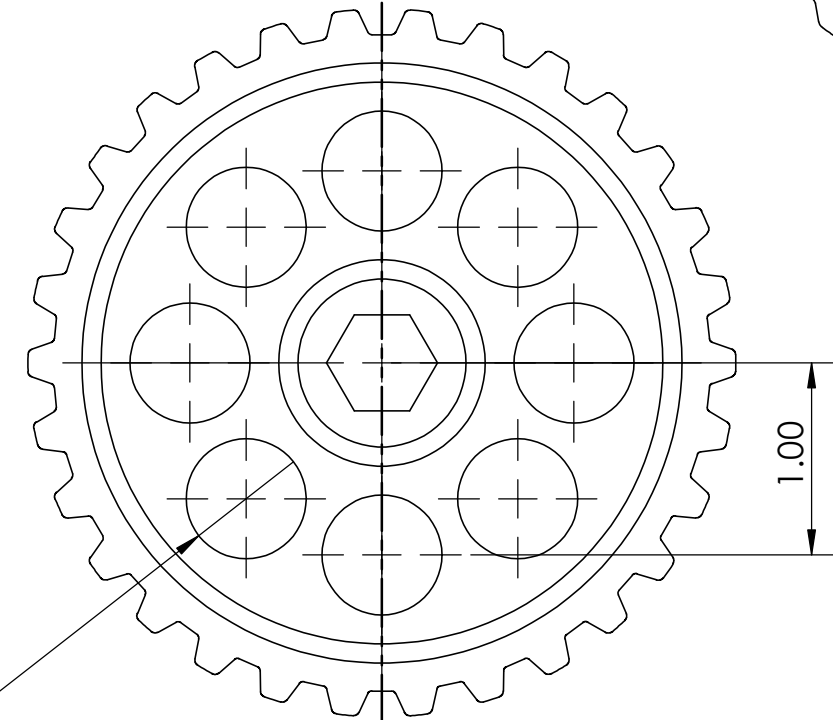
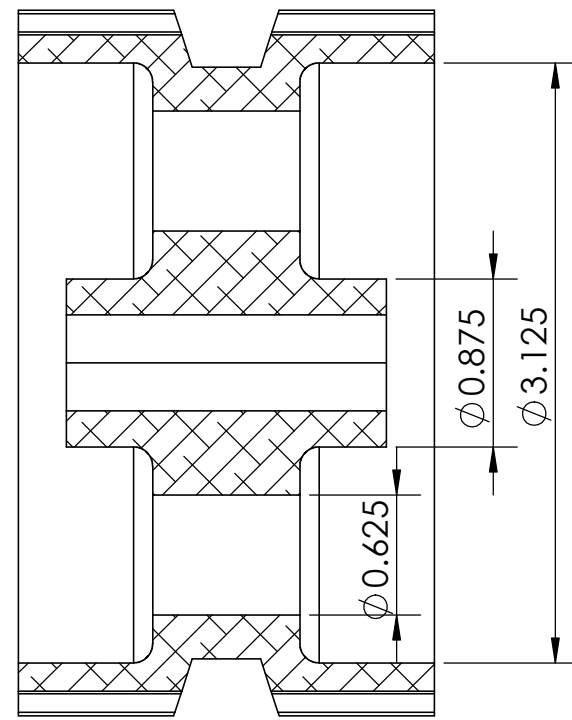
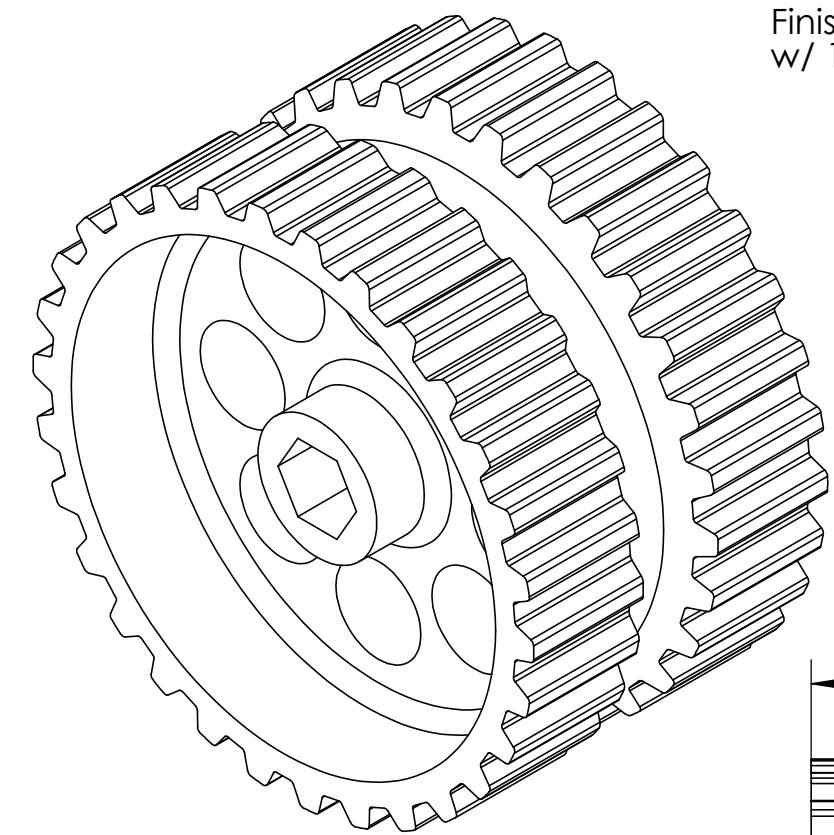
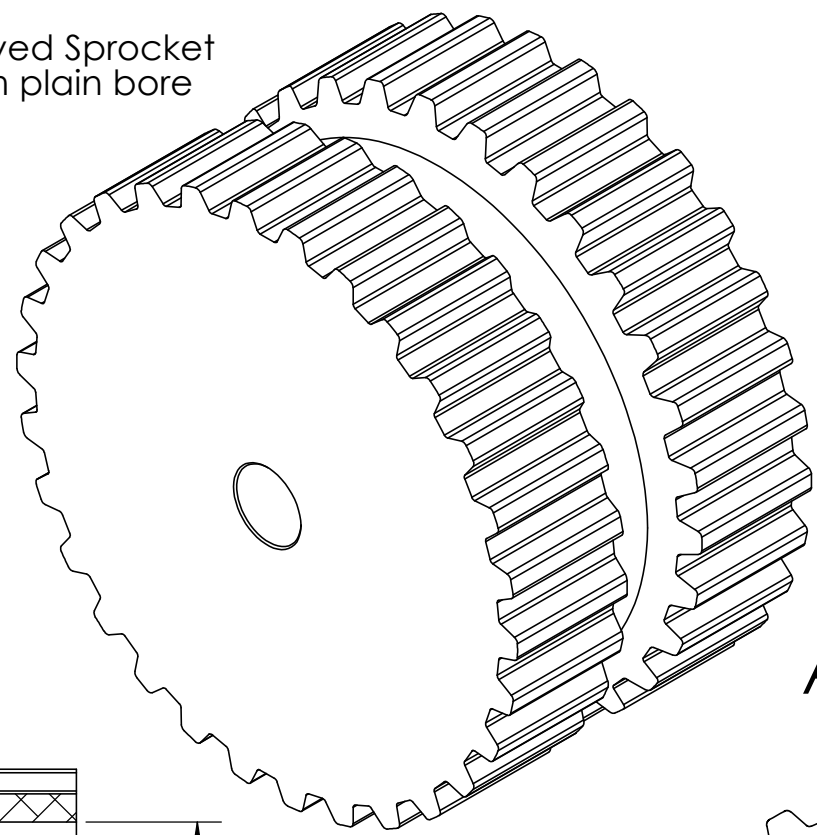
3

2

1

As-received Sprocket
w/ 12mm plain bore

Finished relieved sprocket
w/ 1/2" Hex Hub



SECTION A-A

0.625

1.00

2.165

0.875

3.125

SOLIDWORKS Student License
Academic Use Only

PROPRIETARY AND CONFIDENTIAL
THE INFORMATION CONTAINED IN THIS DRAWING IS THE SOLE PROPERTY OF <INSERT COMPANY NAME HERE>. ANY REPRODUCTION IN PART OR AS A WHOLE WITHOUT THE WRITTEN PERMISSION OF <INSERT COMPANY NAME HERE> IS PROHIBITED.

		UNLESS OTHERWISE SPECIFIED:	NAME	DATE		
		DIMENSIONS ARE IN INCHES	DRAWN			
		TOLERANCES:	CHECKED		TITLE:	
		FRACTIONAL ±	ENG APPR.			
		ANGULAR: MACH ± BEND ±	MFG APPR.			
		TWO PLACE DECIMAL ±	Q.A.			
		THREE PLACE DECIMAL ±	COMMENTS:			
		INTERPRET GEOMETRIC TOLERANCING PER:				SIZE
		MATERIAL				DWG. NO.
NEXT ASSY	USED ON	FINISH				REV
APPLICATION		DO NOT SCALE DRAWING				55tk10k13_30-0
						SCALE: 1:1
						WEIGHT:
						SHEET 1 OF 1

4

3

2

1